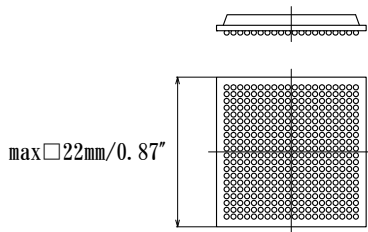


**Test & Burn-In Socket, GU48 molded frame series**  
**Size 48x59.5mm / 1.89x2.34"**

- Features:
- High reliability
  - Cost competitive
  - Short delivery time
  - Temperature  
-40°C to +150°C  
(typical)

● Acceptable device size



In the case of larger size, consult factory.

Any device on 0.30mm pitch or larger

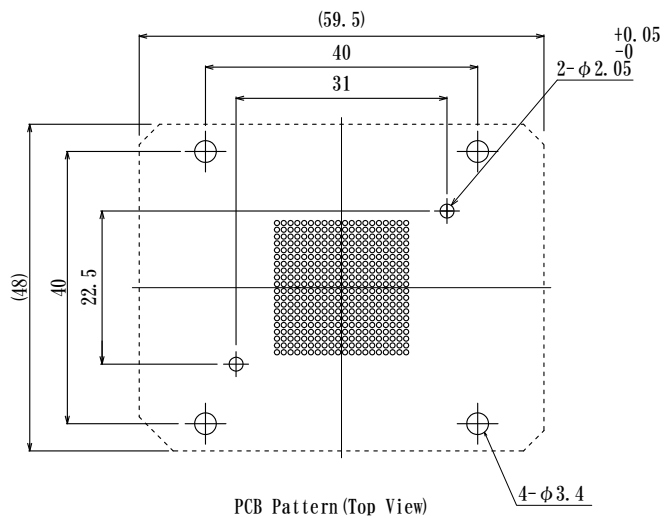
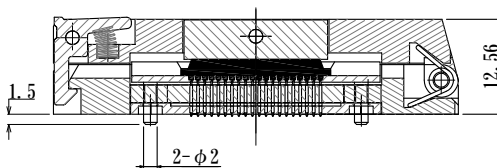
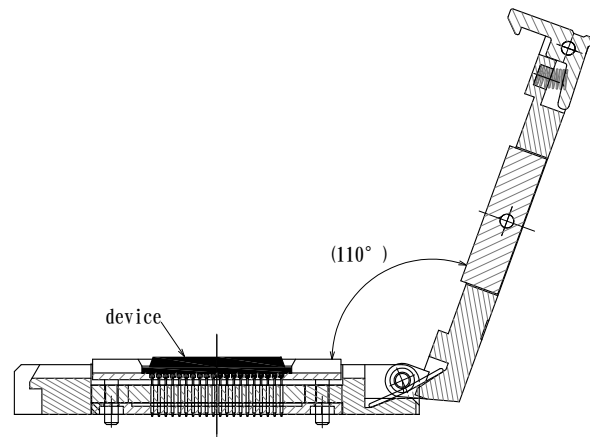
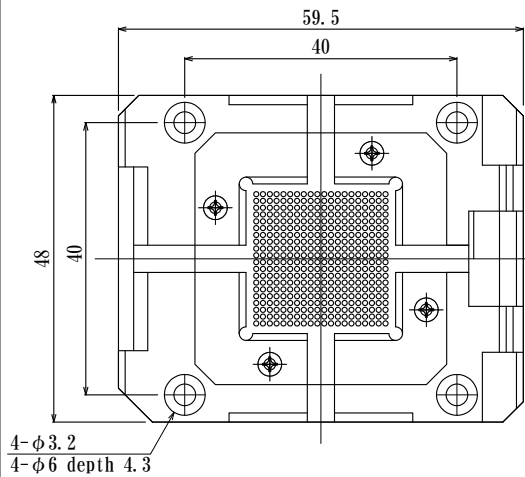


How to order

**GU48-□□□□□□□□□□**

P/N will be informed after fixing specifications.

example)



mm