

Test & Burn-In Socket, GUH37 molded frame series
Size 37x39mm / 1.46x1.54"

0.50mm pitch

10x10 contact max

● Acceptable device size : max □7mm/0.28"
In the case of larger size, consult factory.

How to order

GUH37 □ **-05P-** □ □ □ □ □ □ □ □

Lid type
see page 2A6

P/N will be informed after
fixing specifications.

A	Compression mount
W	Window with seesaw
T	Seesaw

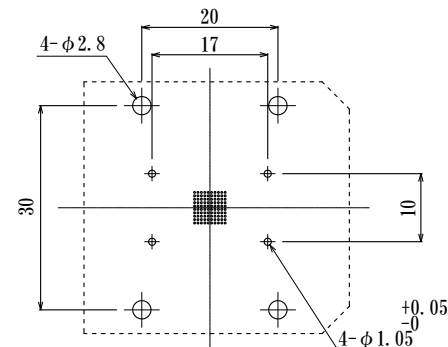
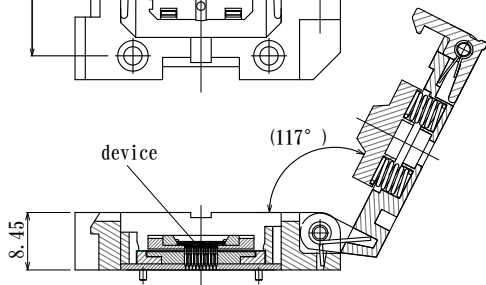
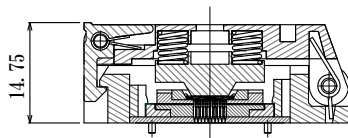
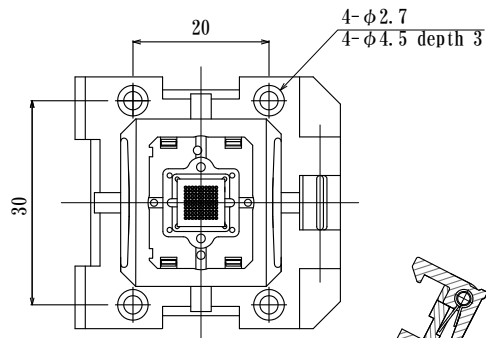
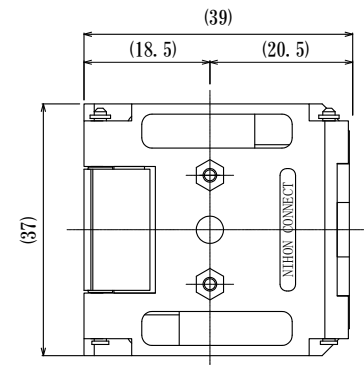


GUH37A type

Features:

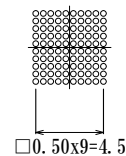
- High reliability
- Cost competitive
- Short delivery time
- Temperature
-40°C to +150°C

example) GUH37A-05P-



PCB Pattern (Top View)

Maximum No. of contact 10x10



Test & Burn-In Socket, GUH37 molded frame series

Size 37x39mm / 1.46x1.54"

0.40mm pitch

16x16 contact max

● Acceptable device size : max □7mm/0.28"
In the case of larger size, consult factory.

How to order

GUH37 □ -04P-□□□□□□□□

Lid type
see page 2A6

P/N will be informed after
fixing specifications.

A	Compression mount
W	Window with seesaw
T	Seesaw

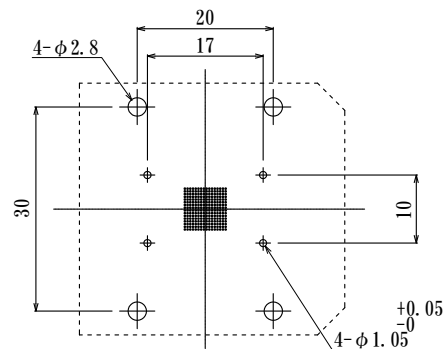
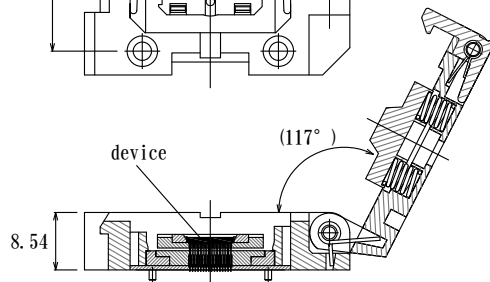
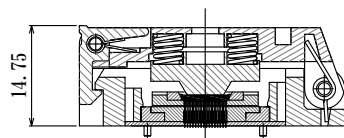
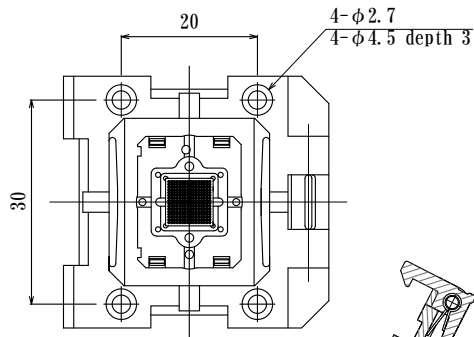
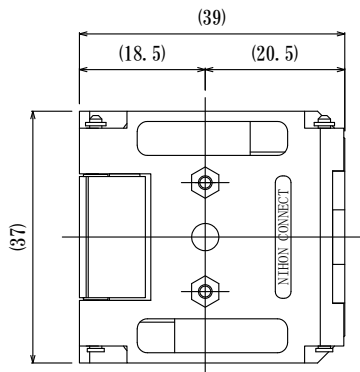


GUH37A type

Features:

- High reliability
- Cost competitive
- Short delivery time
- Temperature
-40°C to +150°C

example) GUH37A-04P-



PCB Pattern (Top View)

Maximum No. of contact 16x16

