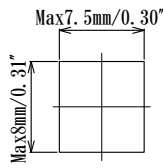
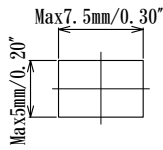


Test & Burn-In Socket, GU10 Small Clam-shell Socket Size 10x16mm / 0.39x0.63"

Acceptable device size



Solder dip type



High Frequency Response type

In the case of larger size, consult factory.
Any device on 0.30mm pitch or larger

For example
MEMS Device
SAW Filter
Semiconductor
Electronic Part



How to order for Custom design

GU10-□□□□□□□□□□

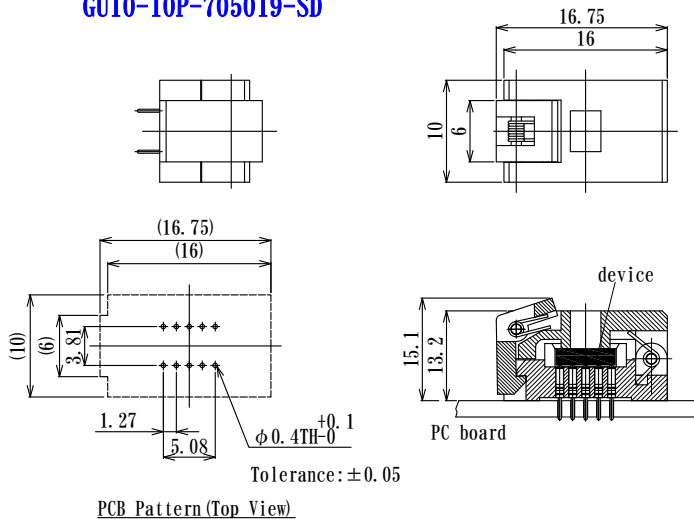
P/N will be informed after fixing specifications.

Features:

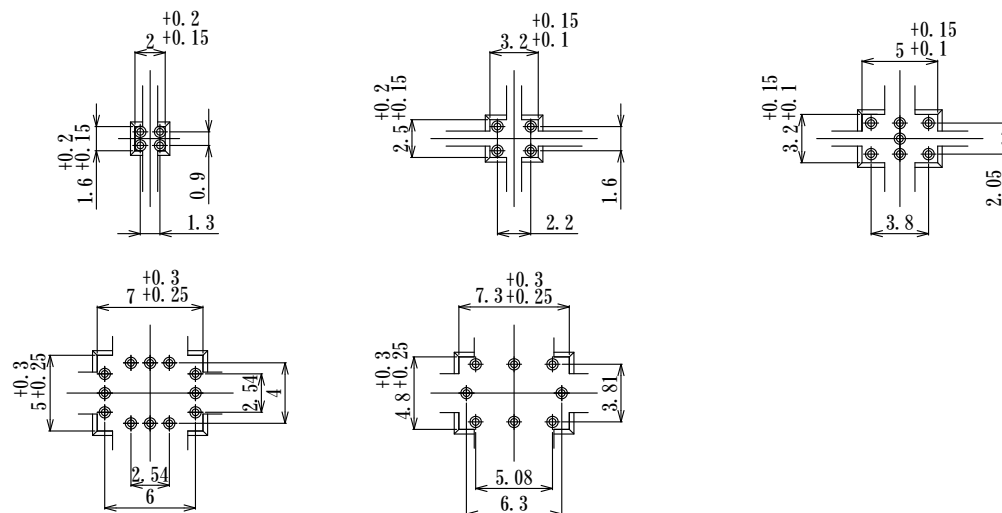
- High reliability
- Cost competitive
- Short delivery time
- Temperature -40°C to +150°C

● Solder dip type (example)

GU10-10P-705019-SD



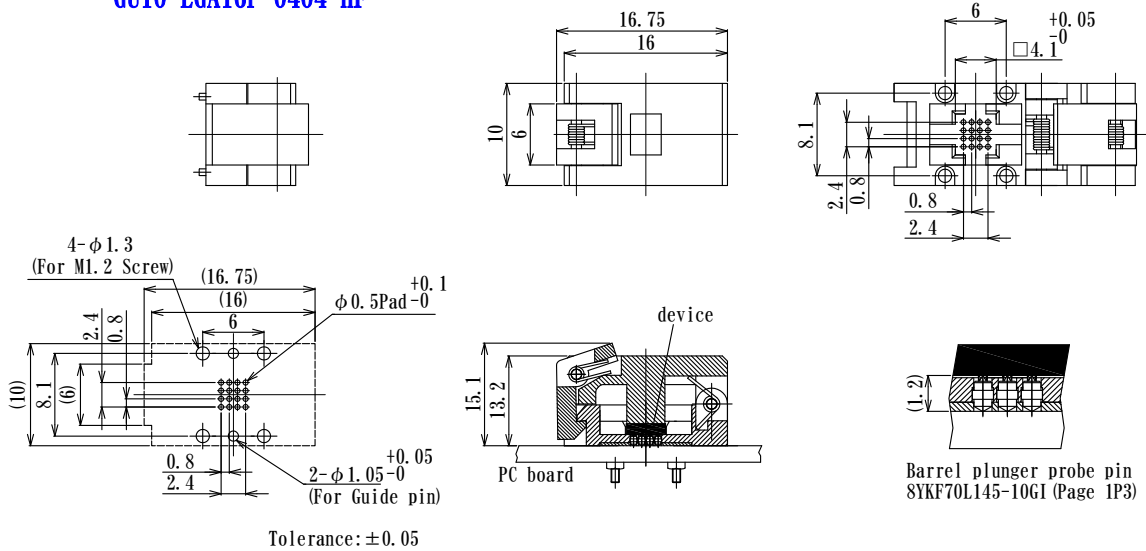
Various designs of device dimensions and pin positions. (example)



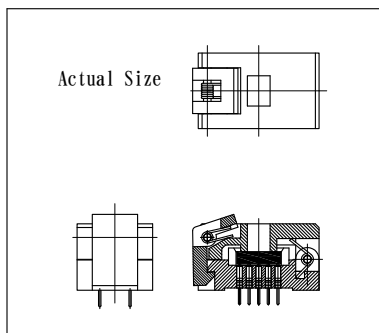
mm

●High Frequency Response type (example)

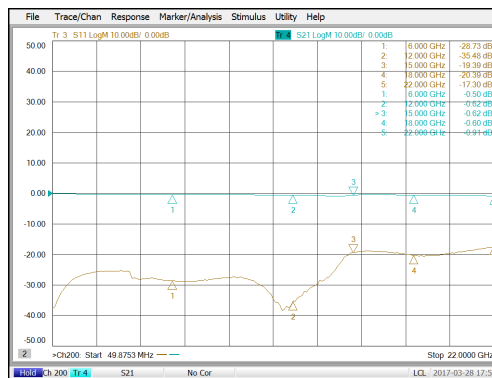
GU10-LGA16P-0404-HF



PCB Pattern (Top View)



Return loss ————
Insertion loss ————



Pitch: 0.8mm
Return loss (GSG) :-17.30dB@22GHz
Insertion loss (GSG) :-0.91dB@22GHz
Self inductance: 0.5nH
Capacitance: 0.25pF