

## Power Transistor Test Sockets (For T0-220, T0-3P)

Low Insertion Force

DC30A or AC1000V



### Specifications

Mating Durability : 10,000 cycles (note\*)

Contact Resistance : 20 mΩ max

Rating Current : DC30 A at 25°C

Insulation Resistance : 500 MΩ min

Withstanding Voltage : DC1500V 1 minute, AC1000Vrms 1 minute at 25°C

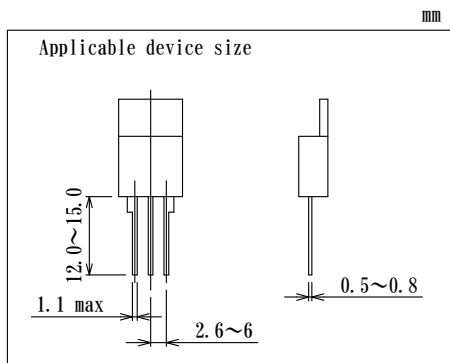
Temperature Range : -55°C ~ +150°C

note\* : Using a Standard Test Lead of ours

### Materials

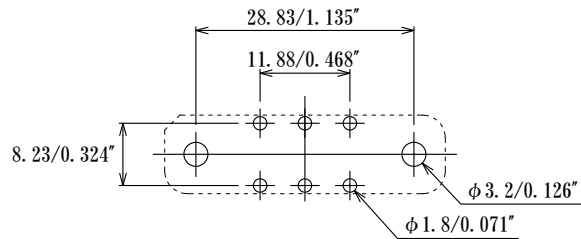
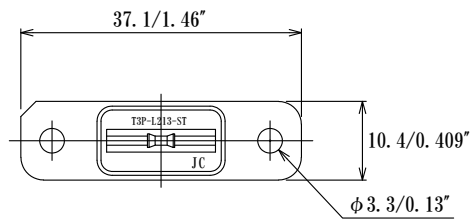
Body : Peek etc.

Contact : Copper Alloy, Au plating over Ni plating



- For a Test of Power Transistors, Thyristors and other discrete devices.
  - Kelvin Contact type
  - Suitable for packages including T0-220, T0-3P, T0-66, T0-247, T0-254, T0-262, T0-264.
- (Some package might not be usable. Please call us)

## T3P-L213-ST



PC Board dimension

