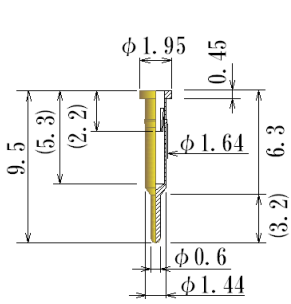
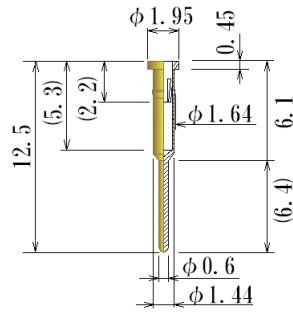


Medium size Socket Pins

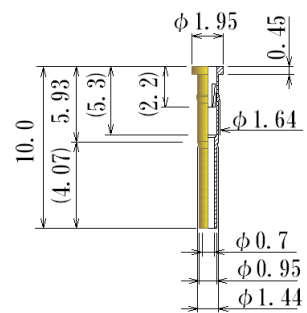
Acceptable Plug $\phi 0.70 \sim \phi 0.60$



PD12-L95-GG



PD12-L125-GG



Thru Hole

PD12P-L100-GG

(866)