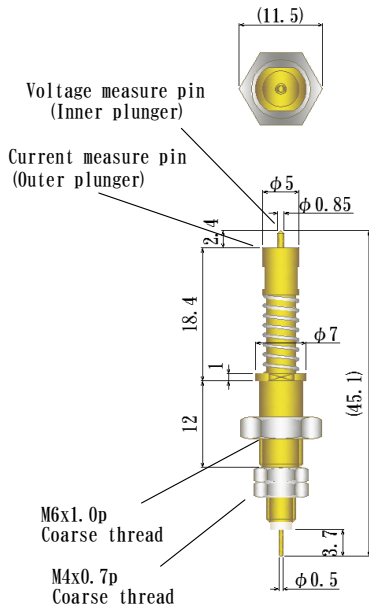
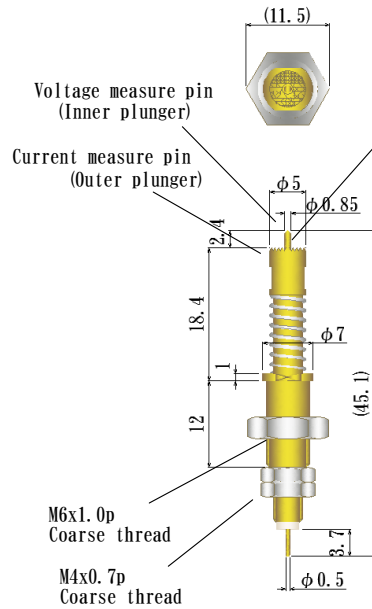


## High Current Kelvin Probe with Mono Plunger $\phi 5$ , length 45.1mm 81K series



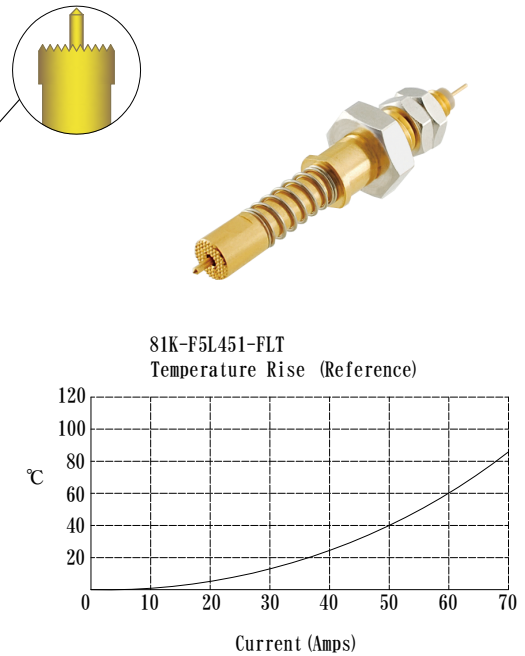
**81K-F5L451-FLT**

Plunger head style : Flat



**81K-F5L451-CRN**

Plunger head style : Multi point crown



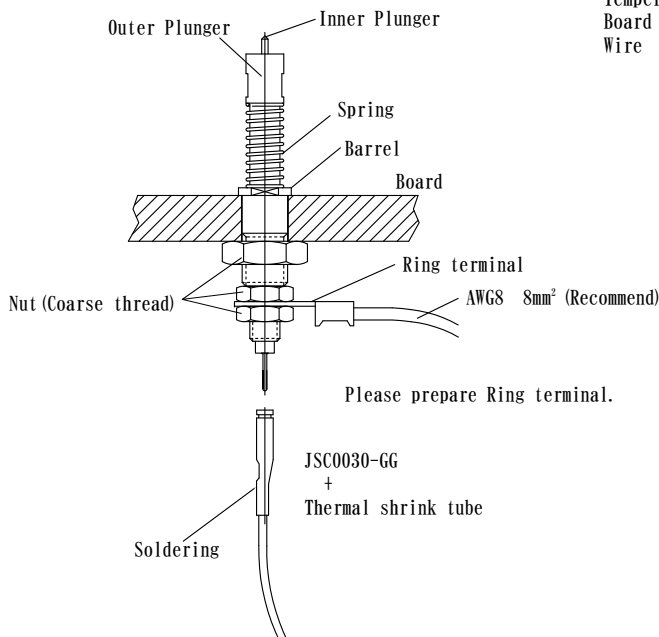
Parts	Material	Finish
Inner Plunger	SK	Gold over Ni plated
Outer Plunger	Copper Alloy	Gold over Ni plated
Spring	SUS	-
Barrel	Brass	Gold over Ni plated
Nut	Brass	Ni plated

### Spring specification

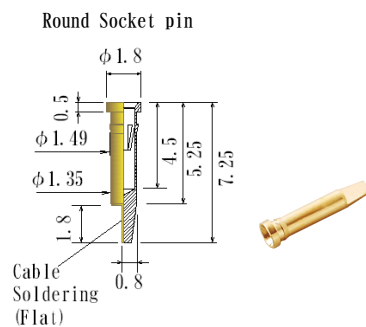
	Preload [N]	Specified		Full travel [mm]
		load [N]	travel [mm]	
Outer plunger	2.0	4.8	5	6.5
Inner plunger	0.1	0.6	2.4	-

Call us for your custom specification.

### How to assemble to board (example)



Durability 50,000 cycles  
Temperature range -40°C~+100°C  
Board thickness 6~8mm  
Wire AWG8 8mm² (Recommend)



**JSC0030-GG**

