

Plunger Exchangeable Probe Pin

PAT PENDING

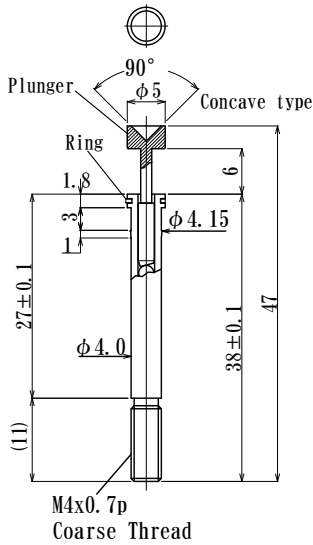
Features

Plunger Exchangeable.
This extends Life time of probe pin performance.

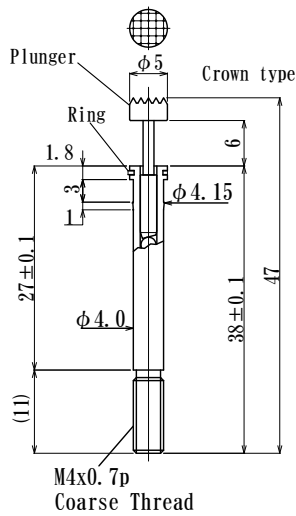
Specification

Contact Resistance : 10mΩ max
Durability : 10,000 cycles
Temperature Range : -40°C ~ +150°C

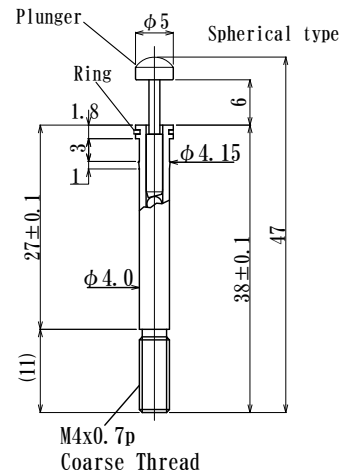
89H-EX-CONC-M4-L47



89H-EX-CRN-M4-L47



89H-EX-SPH-M4-L47

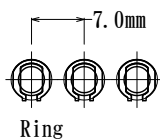


Mounting hole dia. (Press) $\phi 4.1 \pm 0.02$

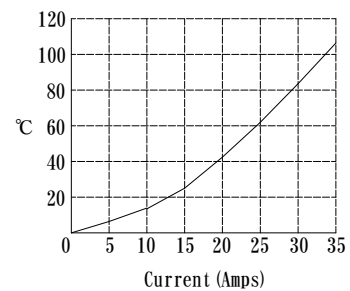
Full travel 6.0mm
Preload 0.20N (20gf)
4.1N (418gf) at 4.4mm travel

Parts	Material	Finish
Plunger	Beryllium Copper	Gold plating over Ni plating
Spring	Sus	
Barrel	Brass	Gold plating over Ni plating
Ring	Sus	-
Ball	Brass	Gold plating over Ni plating

Minimum pitch



Temperature Rise (Reference)

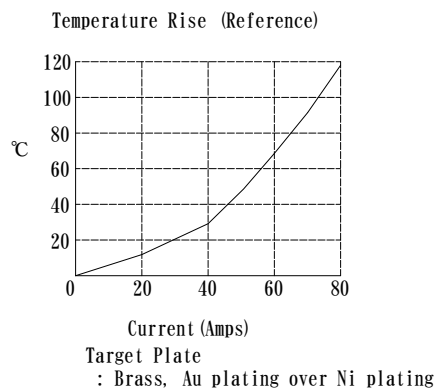
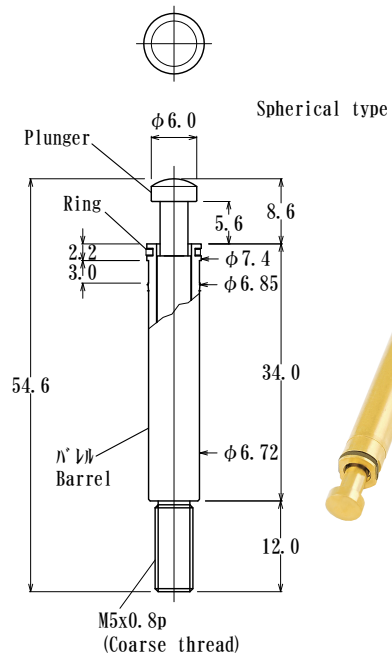


Target Plate
: Brass, Au plating over Ni plating

Plunger Exchangeable Probe Pin

PAT PENDING

89H-EX-SPH-M5-L546



Mounting hole dia. (Press) $\phi 6.8 \pm 0.02$

Full travel 5.6mm
Preload 3.5N (357gf)
7.7N (785gf) at 3.8mm travel

