

Multi contact type, High Current Probe with Mono Plunger

35~50A

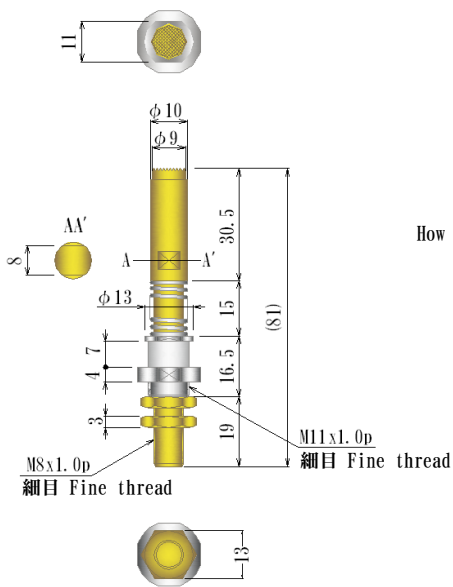
81-F10-CR-L81-M8 - AGW

Plunger Material

AGW: Silver Tungsten + Brass
(Head only)

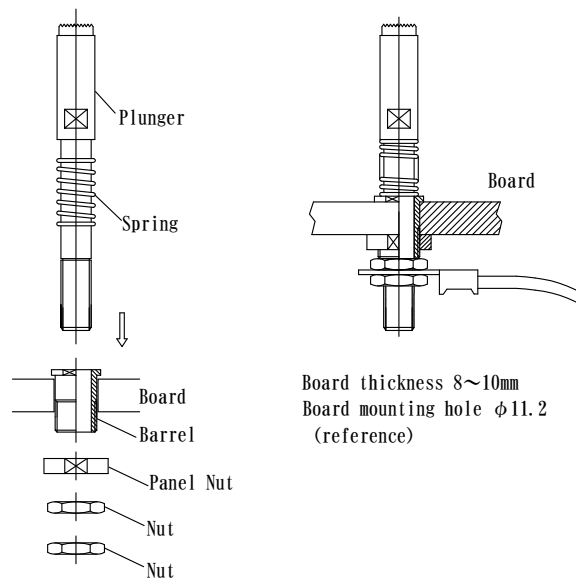
SK: Steel

PB: Phosphor Bronze



Parts	Material	Finish
Plunger	See left	Gold over Ni plated
Spring	SWP	Ni plated
Barrel	Brass	Ni plated
Board Nut	Brass	Gold flash over Ni plated
Nut	Brass	Ni plated

How to assemble to Board



Board thickness 8~10mm
Board mounting hole $\phi 11.2$
(reference)

FuLL travel 6mm
Preload 12.5N (1.28kgf)
22.5N (2.3kgf) at 4mm travel
Current rating 35~50A
Durability 300,000 cycles
Temperature range -20°C ~ +85°C

Attention

Because of the warped surface, scratches, dents, and uneven condition of the target work, problems such as abnormally high temperature, arching, and deposition may occur. Confirm these problems are not occurring before starting and periodically to avoid damaging the target work, deforming or destroying the main connector, and fire.