

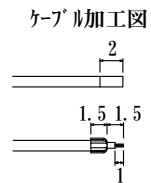
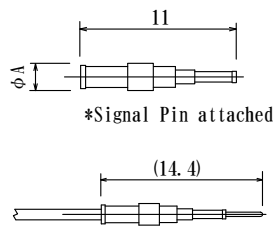
## NCS Connectors

Small outer dia. cable is hard to handle when you connect it to PC board.  
This cable assembly has a plug and it is easy to mate/unmate with PC board.

Specifications	
Impedance	Non Constant
Voltage Rating	AC 100V
Withstanding Voltage	AC 300V one minute
Insulation Resistance	500MΩ min

### Plugs

**NCS-P130 \***  
**NCS-P165**



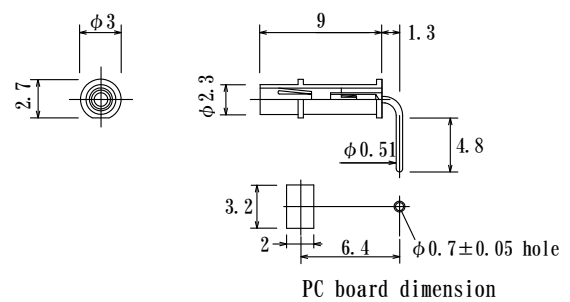
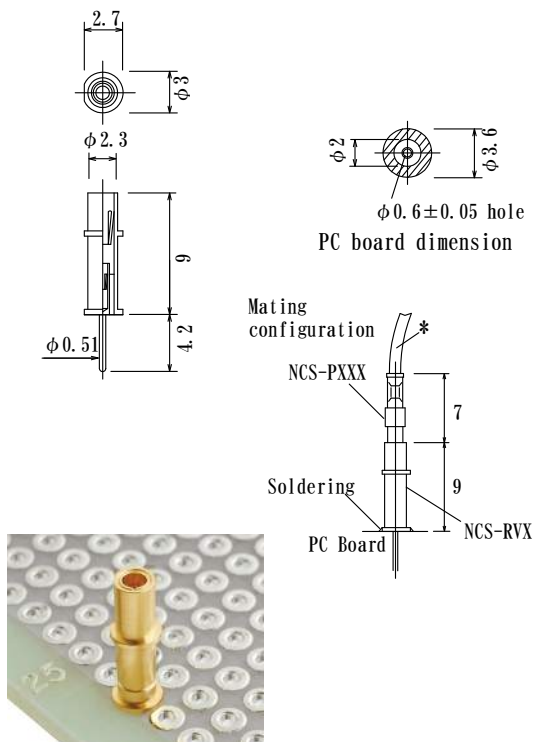
Part No.	φA	B	Applicable Cable (Note)
<b>NCS-P130</b>	2.0	2.0	Outer dia. 0.9mm cable
<b>NCS-P165</b>	2.1	1.0	Outer dia. 1.2mm cable (Junkosha Inc : P/N DFS020)

(Note) Send your Cable sample in advance for confirmation of Crimping.

### Receptacles

Part No.	mating force	*How to withdraw
<b>NCS-RVY</b>	Soft	Don't withdraw a plug without grabbing the plug body.
<b>NCS-RVK</b>	Strong	

Part No.	mating force	*How to withdraw
<b>NCS-RHY</b>	Soft	Don't withdraw a plug without grabbing the plug body.
<b>NCS-RHX</b>	Strong	



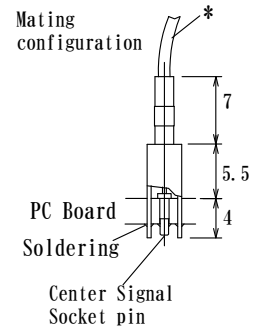
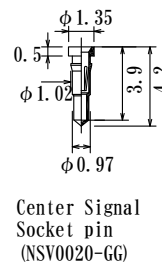
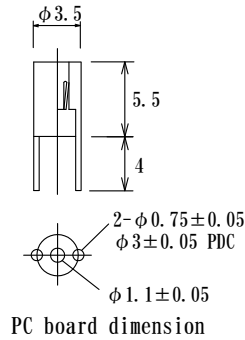
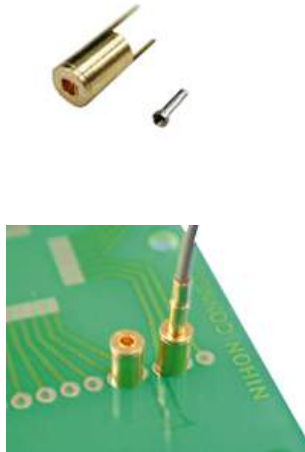
\* mark product is made only upon order.

## NCS Connectors

### Receptacles with discrete Socket pin attached

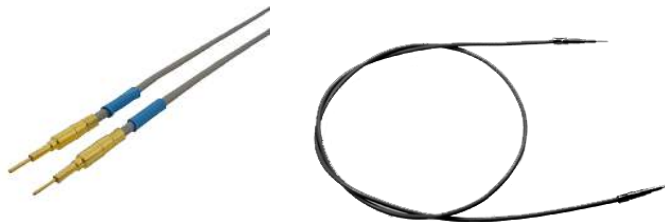
NCS-BR3Y  
NCS-BR3K

Part No.	mating force	*How to withdraw
NCS-BR3Y	Soft	Don't withdraw a plug without grabbing the plug body.
NCS-BR3K	Strong	



### Cable assembly

It is easier for you to order Cable assembly.  
Please specify the length and connectors.



How to order

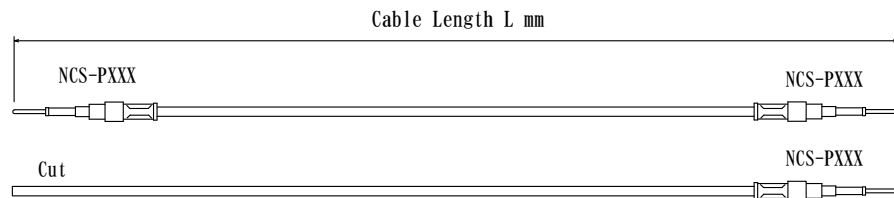
**NCSA-P165XP165-LXXX**

Choice of Connectors  
P130  
P165

Cable Length mm

NCSA-P165XP165-L150

NCSA-P165-L300



TOOL-MPW87-NCS



TOOL-MPW87-2 (M22520/10-01)



\* mark product is made only upon order.