

Laser Diode Socket

Round Socket pin type

Specifications (Typical example)

Dielectric Strength: AC500V RMS 1min
Insulation Resistance: 500MΩmin
Contact Resistance: 15mΩ max
Current rating : 1.0 A
Operating Temperature: -55°C~+150°C
(In case of Gold plating Contact)

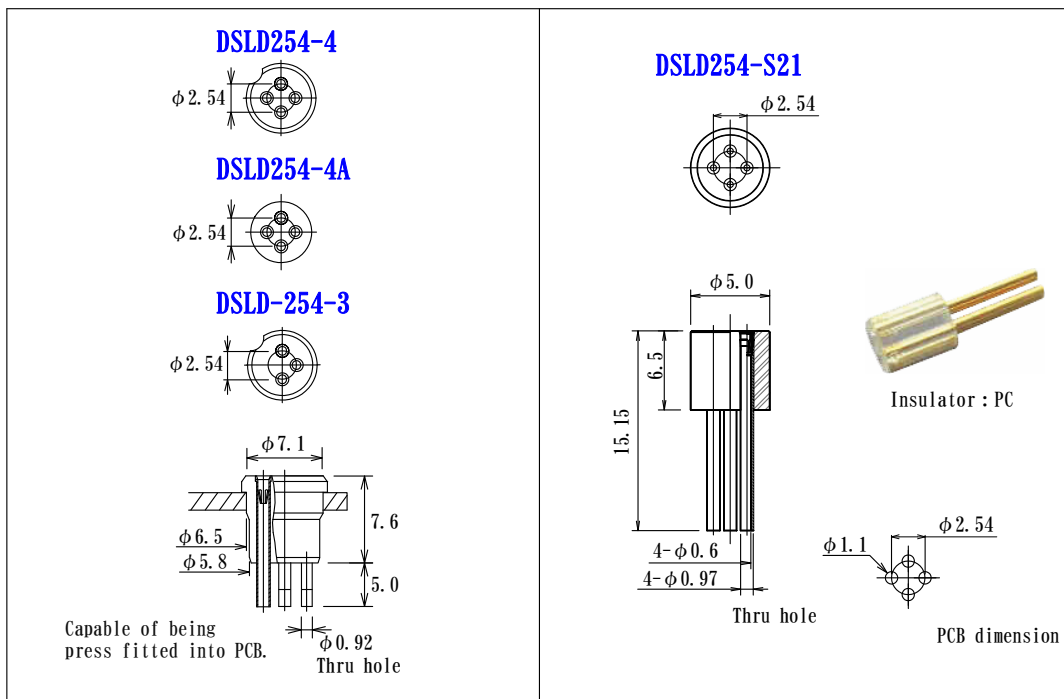
Material

Sleeve : Brass, Tin plating over Ni
Contact : Beryllium, Gold plating over Ni
Insulator: Teflon PC etc

2.54mm pitch circle

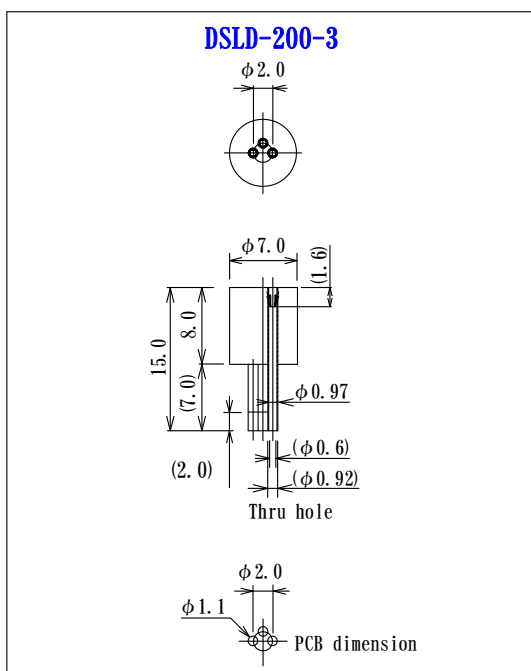
●Suitable for packages including T0-18, T0-46, T0-52, T0-72.
(Some package might not be usable. Please call us)

Acceptable lead dia. $\phi 0.42/0.0165'' \sim \phi 0.48/0.0189''$



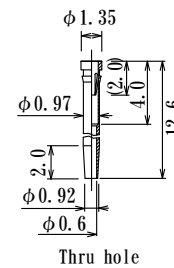
2.0mm pitch circle

Acceptable lead dia. $\phi 0.42/0.0165'' \sim \phi 0.48/0.0189''$

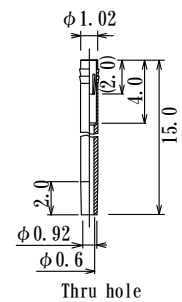


(example)

NSP126-GG



NZP10-GG



Custom order Cable