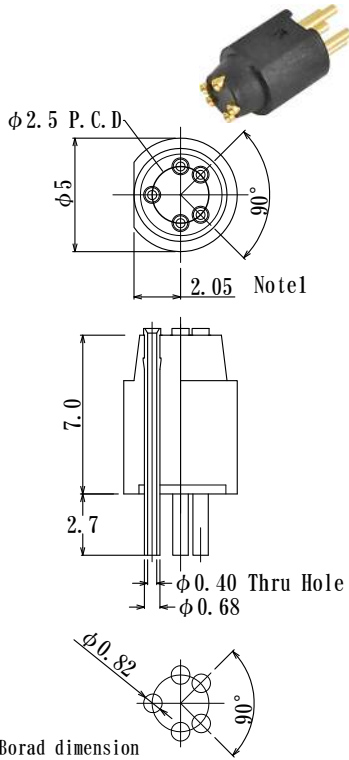


Laser Diode Socket

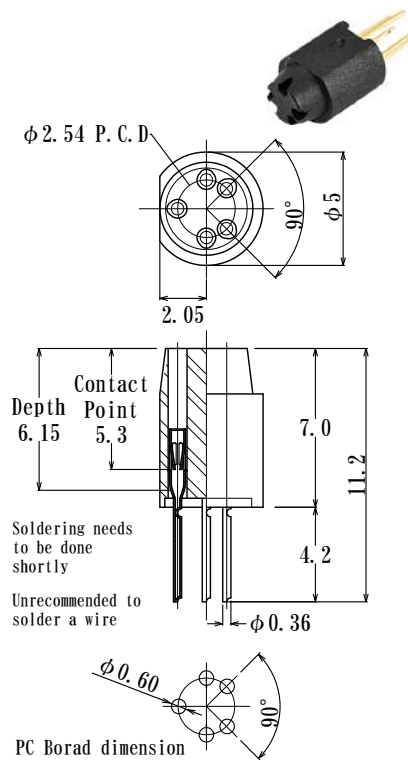
2.54mm pitch circle
2.50mm pitch circle

Acceptable lead dia. $\phi 0.25\text{mm}/0.0985'' \sim \phi 0.35\text{mm}/0.0138''$

5pin
LD250P-5P-F5L5-TH



5pin
LD254P-5P-F5L5-JD



Note:
Culred and Longer lead are preferable for better contact.