

Laser Diode Socket

Round Socket pin type

Specifications

Dielectric Strength: AC100Vrms 1min
Insulation Resistance: 500MΩmin
Contact Resistance: 15mΩ max
Current rating : 1.0A
Operating Temperature: -45°C~+150°C

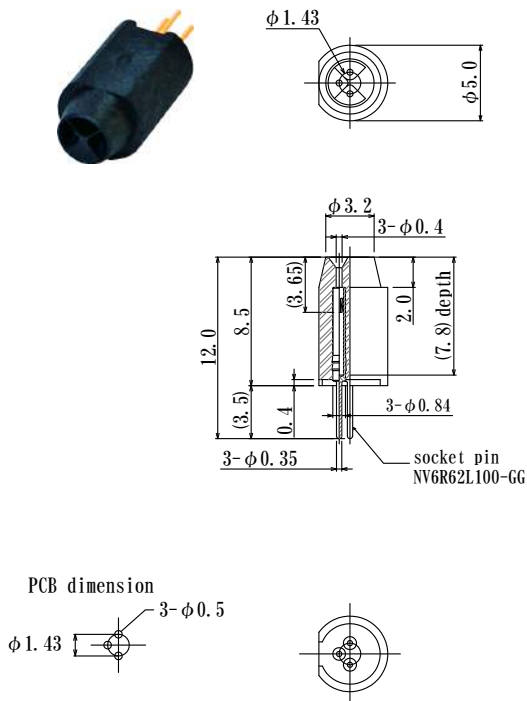
Material

Sleeve : Brass, Gold plating over Ni
Contact : Beryllium, Gold plating over Ni
Insulator: PPS or LCP Black

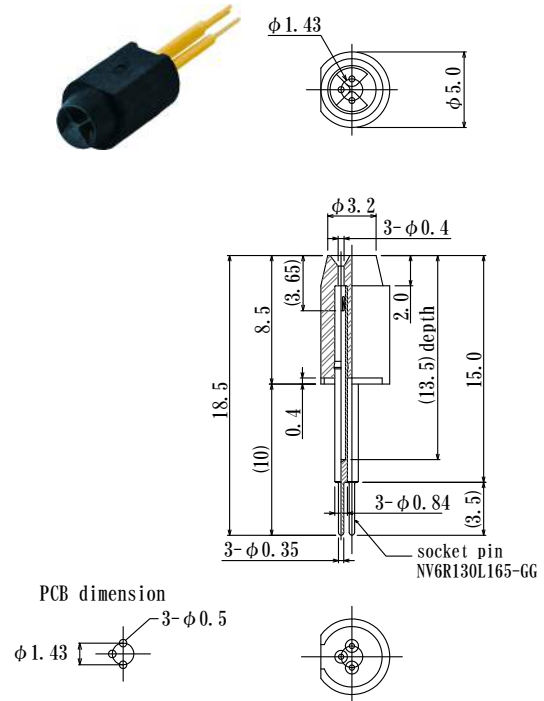
Acceptable lead dia. $\phi 0.35/0.0138''$ typical

1.43mm pitch circle

3pin LD143-3P-H85

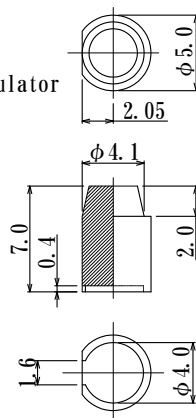


3pin LD143-3P-H150



In case the models listed on this brochure do not fulfill your specification requirement, We are able to manufacture customized model, accommodating your needs with our machining technology an so on. Please inform us of position of sockets, pitch circle and other relevant spacification.

Blank (processing treatment) Insulator LD-INS-143-PP-F5

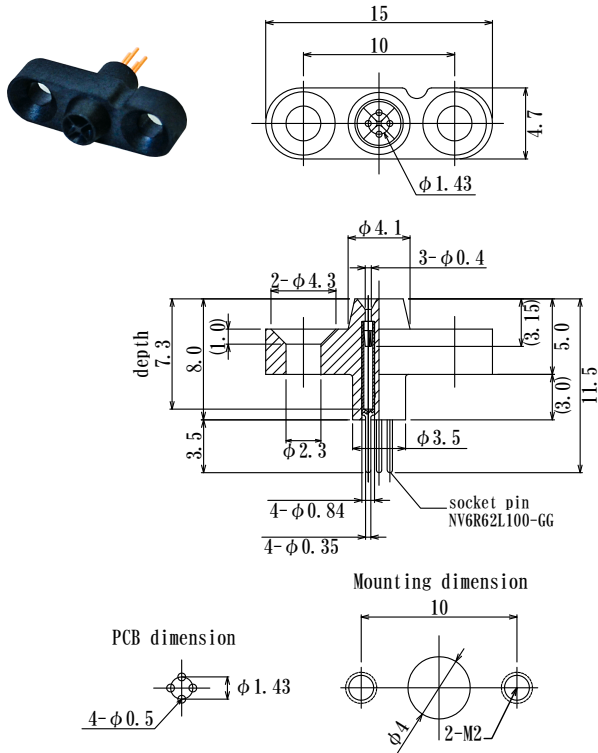


Laser Diode Socket

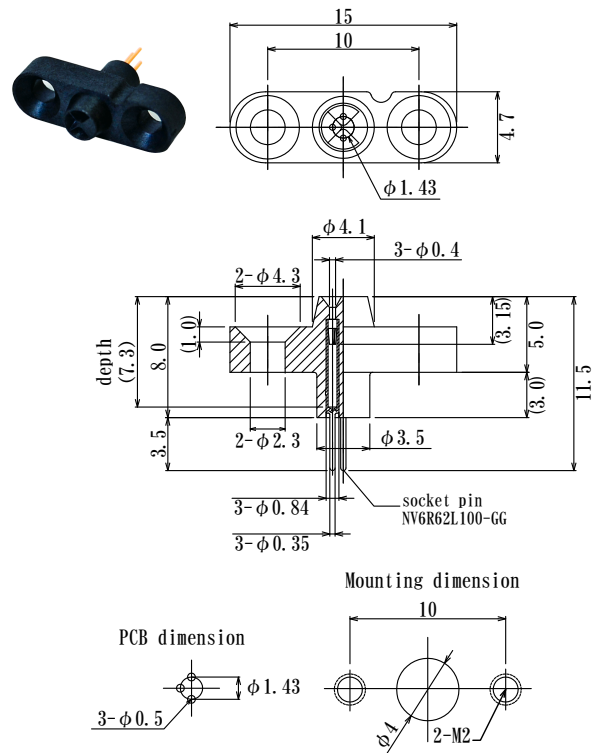
Acceptable lead dia. $\phi 0.35/0.0138''$ typical

1.43mm pitch circle

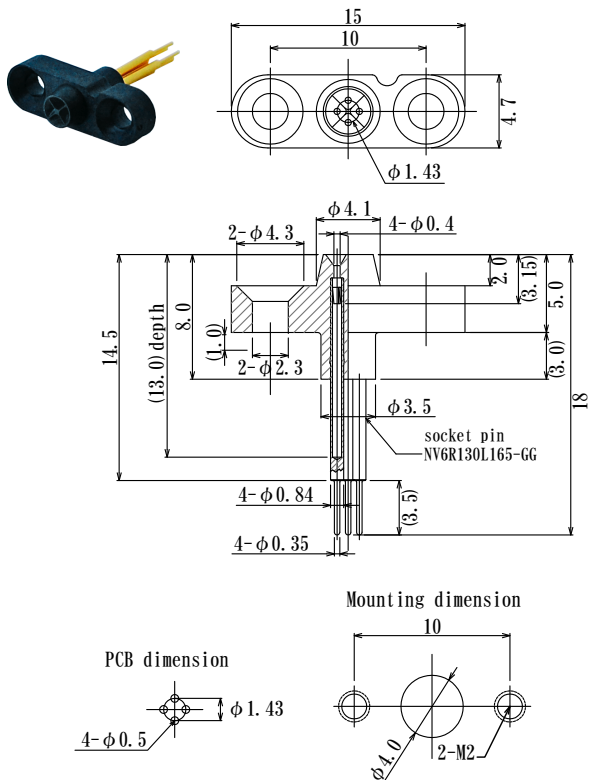
4pin
LD143-4P-M2L118 Flange type



3pin
LD143-3P-M2L118 Flange type



4pin
LD143-4P-M2L180 Flange type



3pin
LD143-3P-M2L180 Flange type

