

Custom-Made Socket for Laser Diode

Our Custom-Made Socket for Laser Diode accommodates special demand of pin arrangement and pin diameter. Please feel free to contact us for more information.

Sockets on this page are examples of custom-made sockets.

Outer dia. $\phi 7$

Specifications (typical)

Dielectric Strength: AC100Vrms 1min
Insulation Resistance: 500M Ω min
Contact Resistance: 15m Ω max
Current rating : 1.0A
Operating Temperature: -45°C ~ +150°C

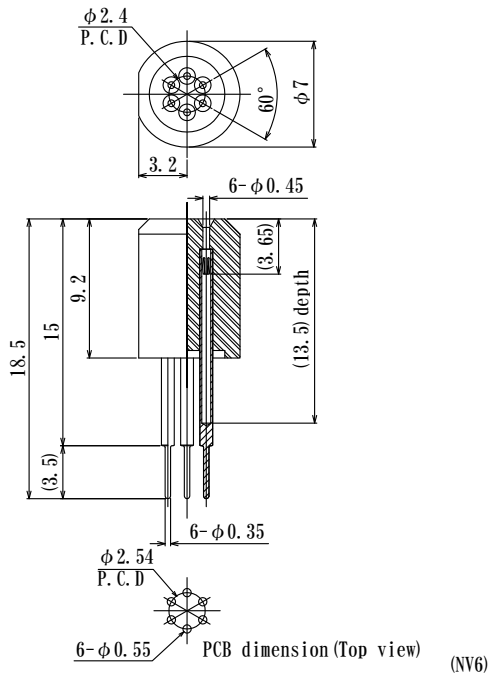
Material

Sleeve : Brass, Gold plating over Ni
Contact : Beryllium Copper, Gold plating over Ni
Insulator: PPS or LCP Black

6pin LD240P-6P-F7L185-BK

Acceptable lead dia.

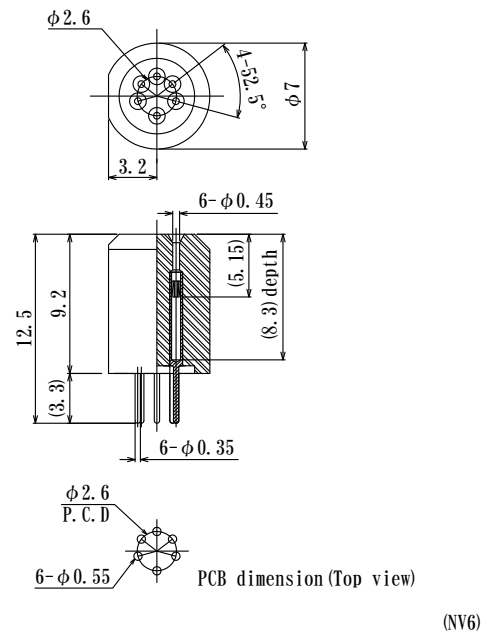
$\phi 0.21\text{mm}/0.0083'' \sim \phi 0.35\text{mm}/0.0137''$



6pin LD260P-6P-F7L125-BK

Acceptable lead dia.

$\phi 0.21\text{mm}/0.0083'' \sim \phi 0.35\text{mm}/0.0137''$



7pin LD350P-7P-F7L125-BK

Acceptable lead dia.

$\phi 0.3\text{mm}/0.0118'' \sim \phi 0.35\text{mm}/0.0137''$

