

Socket Pins (louver type)

- Louver has reliable structure with beryllium copper heat treated.
- Because of multi position contacting, our products have low contact resistance and high current rating.
- High mating/unmating durability.
- We welcome your custom products.

Typical Specification

Temperature range: -55°C~+150°C

(with gold plated Louver)

Louver: Beryllium Copper, Heat treated

Gold Plating over Nickel plating

Silver Plating over Nickel plating

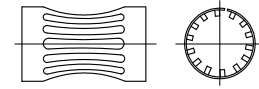
Sleeve, Futa: Brass, Gold Plating over Ni plating

Silver Plating over Nickel plating



Major factors of socket pin are as follows.

- Plug shape, dia, tolerance
- Plug length and contact point
- Number of poles
- Current rating
- Insertion and withdrawal force
Strong or soft
- Estimated insertion/withdrawal cycle
- Outer shape
- Plating

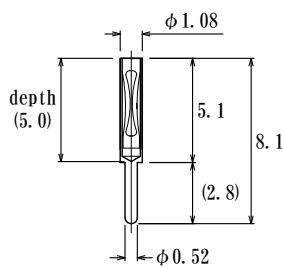


Note

1. Insert a proper diameter size plug pin.
If you insert bigger diameter plug pin, the internal socket louver may be damaged, and never return to the original shape. In case this, the mating and unmating force already has changed to smaller value.
2. When socket pins are assembled to insulator, a entrance guide for plug pin is effective to protect socket louver.

[mm]

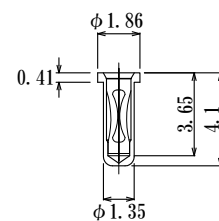
Acceptable Plug $\phi 0.40$



UJUS040-F108-L81

(LV44/3-F045)

Acceptable Plug $\phi 0.45$



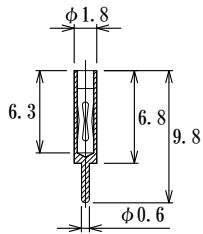
UJUS045-F185-L41

(LV33/3-F05)

Socket Pins (louver type)

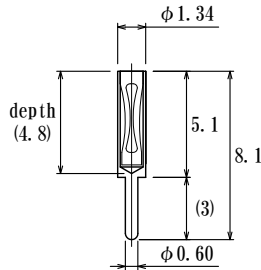
[mm]

Acceptable Plug $\phi 0.66 \sim \phi 0.56 / 0.026'' \sim 0.022''$



UJUS60-L98

(LV46L48)

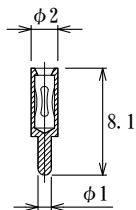


UJUS045-F134-L81

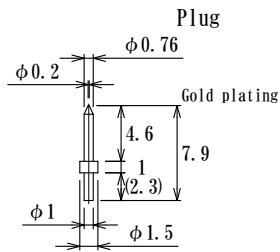
(LV45/3)

Acceptable Plug $\phi 0.76 / 0.036''$

Low Insertion
Force type

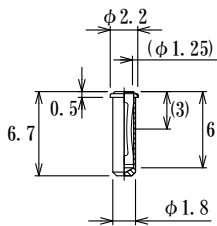


UJUS76A-82L



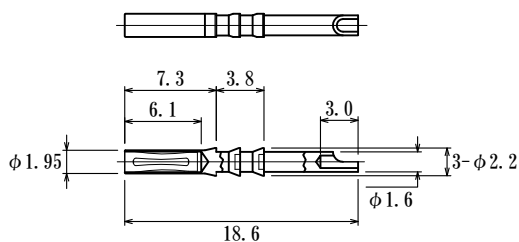
PD-Q76-79LG

Acceptable Plug $\phi 0.90 / 0.0354''$



UJ09-67GG

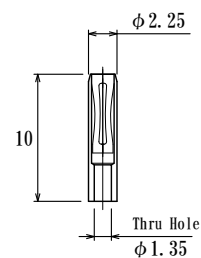
Acceptable Plug $\phi 1.0 / 0.0394''$



UJUS10-537HV-L186

(LV58/3)

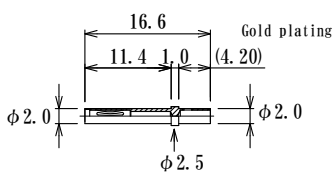
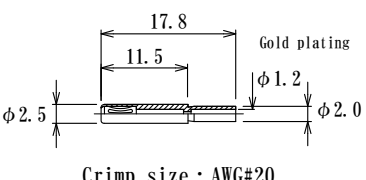

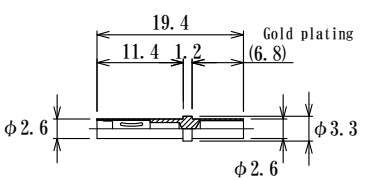
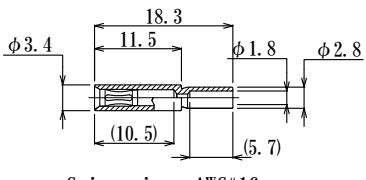

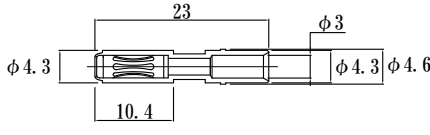
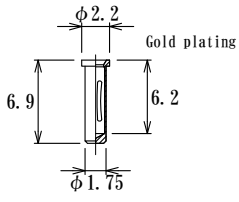
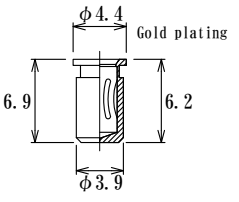
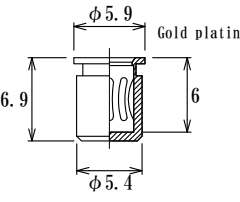
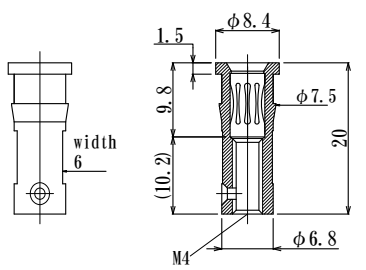

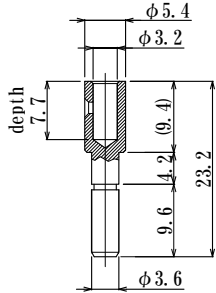
Acceptable Plug $\phi 1.0 \sim \phi 1.23 / 0.0394'' \sim 0.0484''$



UJUS10-LV62-L100

(LV62/4)

Socket Pins (louver type)

<p>Acceptable Plug $\phi 1.0$</p>  <p>UJUS10-166LG</p>	<p>Acceptable Plug $\phi 1.0$</p>  <p>Crimp size : AWG#20 JMD-TK-201 (Y)</p> 		
<p>Acceptable Plug $\phi 1.5$</p>  <p>UJUS15-194LG</p>	<p>Acceptable Plug $\phi 1.5$</p>  <p>Crimp size : AWG#16 JMD52-04-05 (Y)</p>  <p>(LVS5/6-F15)</p>		
<p>Acceptable plug $\phi 2.0$</p>  <p>UJC20-23LSV-CR</p> <p>(LVS8/7-F2)</p>			
<p>Acceptable plug $\phi 1.0$</p>  <p>UJMS-10T69/3</p>	<p>Acceptable plug $\phi 2.5$</p>  <p>UJMS-248T69/3</p>	<p>Acceptable plug $\phi 3.46$</p>  <p>UJMS-346T69/3</p>	
<p>Acceptable plug $\phi 3.6$</p>  <p>UJUS-NHV-SKT-F36M4-L200</p> <p>(LVS8-F4)</p>	<p>Plug Pin $\phi 3.6$</p>   <p>N-HV-PLG-F36-L232</p>		

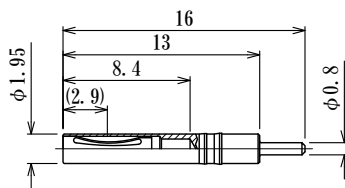
Socket Pins (louver type) PCB press-fitting type, Cable soldering type

- High Current Socket Pin can be soldered to PCB or cable.
- Can be used with press-fitting into a hole of insulator.
- We welcome your custom design products.
- Gold plating over Ni (Standard Product)



Acceptable cable : $\phi 1.0$ Current Rating : 8A at 25°C

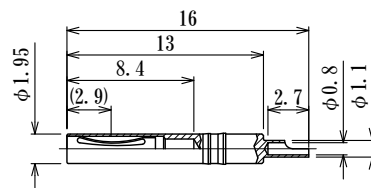
PCB press-fitting type



UJUS10-L160-LV583-PIN

PCB hole size : $\phi 0.9 \pm 0.05$ (Reference)

Cable soldering type



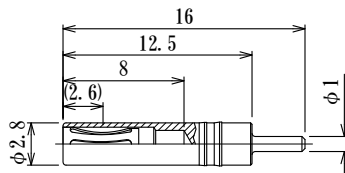
UJUS10-L160-LV583-SD

Appropriate Cables : AWG#22 0.3mm² (Reference)

(LV58/3)

Acceptable cable : $\phi 1.5$ Current Rating : 12A at 25°C

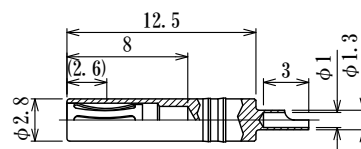
PCB press-fitting type



UJUS15-L160-LVS56-PIN

PCB hole size : $\phi 1.1 \pm 0.05$ (Reference)

Cable soldering type

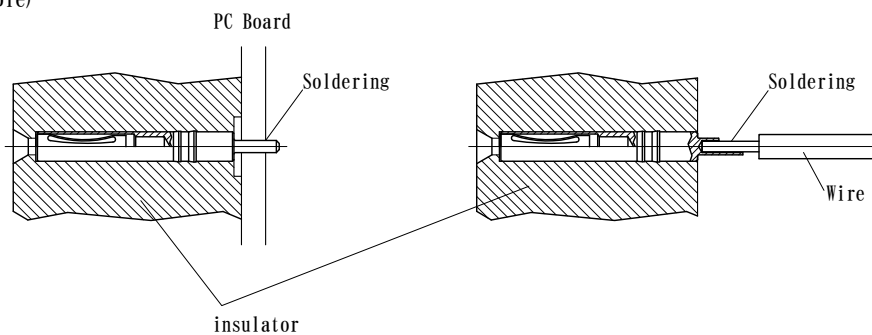


UJUS15-L160-LVS56-SD

Appropriate Cables : AWG#20 0.5mm² (Reference)

(LVS5/6)

How to use
example)



We accept special orders of insulator design and manufacturing.