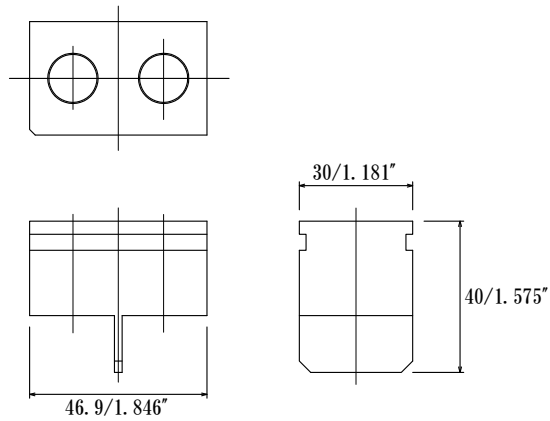


**High Current Module $\phi 9.1\text{mm}/0.358''$
UJC Series**

$\phi 9.1\text{mm}/0.358''$ module
Current rating : 120A at 25°C

Insulator P/N
UJC-M91X2-T469



Dielectric strength : 1000V

Please call factory about followings
Crimping tool + Locator
Pin Removal too

Socket pin P/N

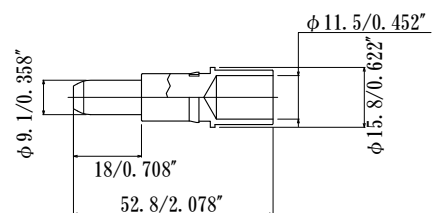
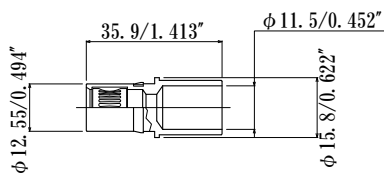
Plug pin P/N

UJCS91-359LG-CR

Crimping

UJCP91-528LG-CR

Crimping



Gold plating

Gold plating