

Board to Board Right Angle High Current Connectors HARS, HARP series

5.6mm pitch

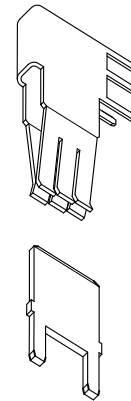
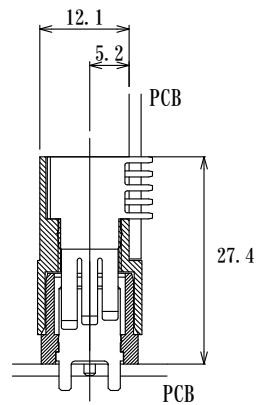
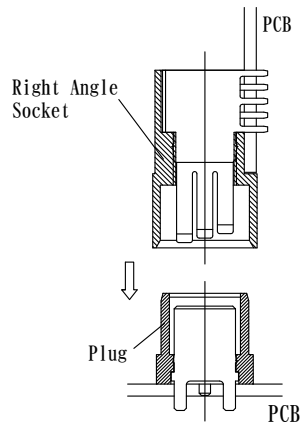
35A max

Features:

1. Current rating : 35A max in case of 1 position
(please refer table below for other number of positions)
2. Dielectric voltage : AC1000V



Mating configuration




Current rating table

Positions	Current rating (A)
1	35
2 (Adjacent case)	30

Specifications		Socket	Plug	Socket	Plug
P/N		HARS-04PR-G HARS-06PR-G	HARP-04PR-G HARP-06PR-G	HARS-04PR-T HARS-06PR-T	HARP-04PR-T HARP-06PR-T
Material	Insulator	High temperature thermoplastic			
	Plug Pin Socket Pin	Copper Alloy Gold plated		Copper Alloy Tin plated	
Current rating		35A at 35°C			
Dielectric withstanding voltage		AC 1000V 1 minute			
Insulation Resistance		1000MΩmin at DC 500V			
Contact Resistance		10mΩ max			
Operating Temperature Range		-25°C~+105°C (including temp. rise by current flow)			
Mating Holding Force per pin		0.4N (40.8gf) ~4.5N (459gf)			
Contact durability		less than 10mΩ after 500 matings		less than 10mΩ after 50 matings	

Specifications subject to change without notice.

Board to Board Right Angle High Current Sockets HARS series

HARS-06PR-T UL, CSA approved 
UL File Number E474715
30A in conformity to UL test guidelines
10A in conformity to CSA test guidelines

How to order

HARS - 06 P R - G

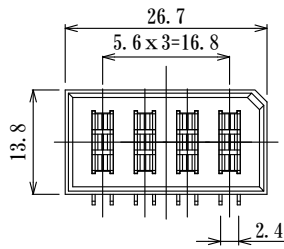
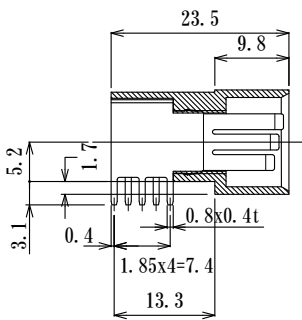
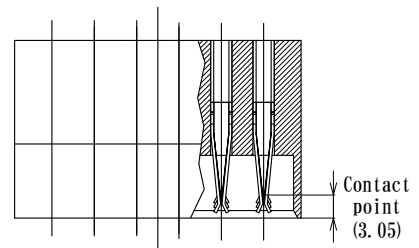
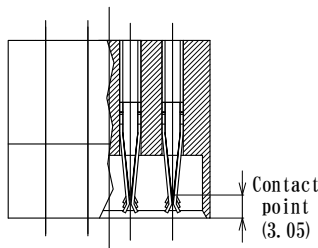
N : Number of positions
04 : 4 positions
06 : 6 positions

Plating
T : Ni over tin plating
(standard plating)
G : Ni over Au plating

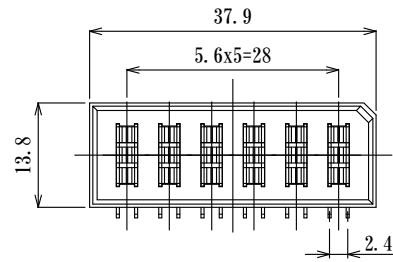


Socket
HARS-04PR-□

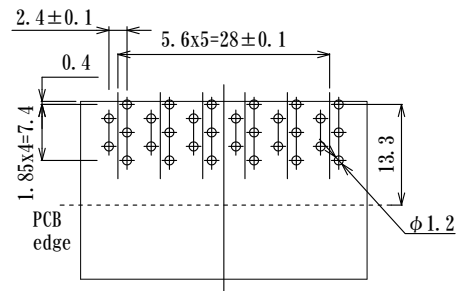
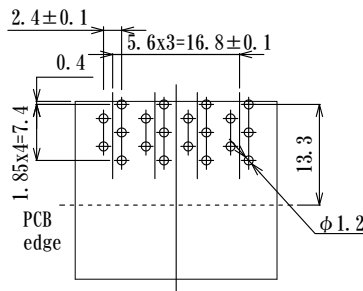
Socket
HARS-06PR-□




PCB Dimension (Top view)



PCB Dimension (Top view)



Board to Board Right Angle High Current Plugs HARP series

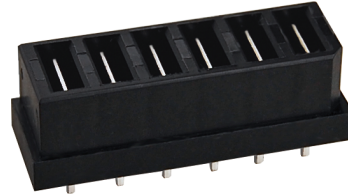
HARP-06PR-T UL, CSA approved 
UL File Number E474715
30A in conformity to UL test guidelines
10A in conformity to CSA test guidelines

How to order

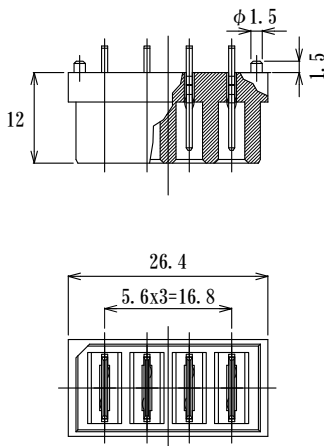
HARP - 06 P R - G

N : Number of positions
04 : 4 positions
06 : 6 positions

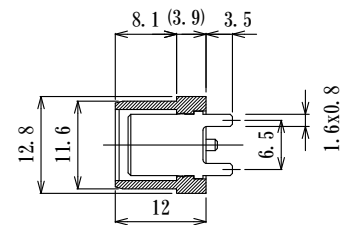
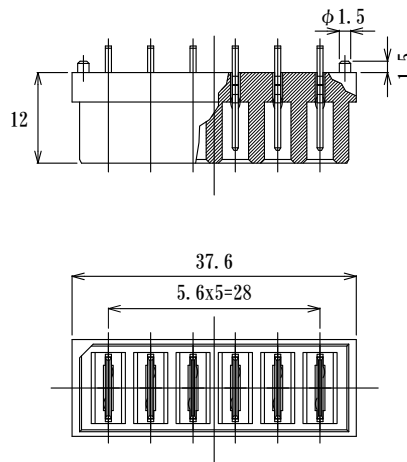
Plating
T : Ni over tin plating
(standard plating)
G : Ni over Au plating



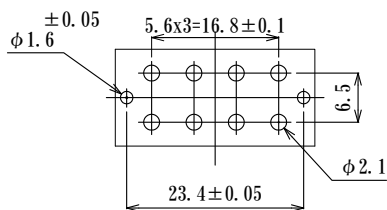
Plug
HARP-04PR-□



Plug
HARP-06PR-□



PCB Dimension (Top view)



PCB Dimension (Top view)

